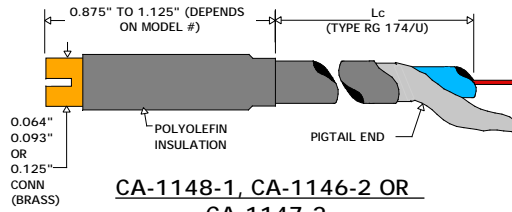


DYNASEN INC. FEED THROUGH AND CABLE ASSEMBLIES

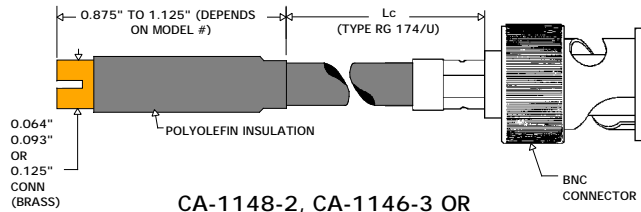
CA-1148-1, CA-1146-2, and CA-1147-2
 These cable assemblies comprise 0.064in., 0.093in., or 0.125in. connectors respectively at one end and a pigtail at the other end. Standard lengths are 1 to 6 foot. Other lengths available at an additional cost.



**CA-1148-1, CA-1146-2 OR
 CA-1147-2**

HP @ 45 %

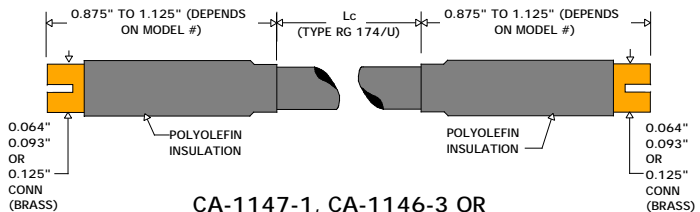
CA-1148-2, CA-1146-3, and CA-1147-4
 These cable assemblies comprise 0.064in., 0.093in., or 0.125in. connectors respectively at one end and a BNC at the other end. Standard lengths are 1 to 6 foot. Other lengths available at an additional cost.



**CA-1148-2, CA-1146-3 OR
 CA-1147-4**

HP @ 45 %

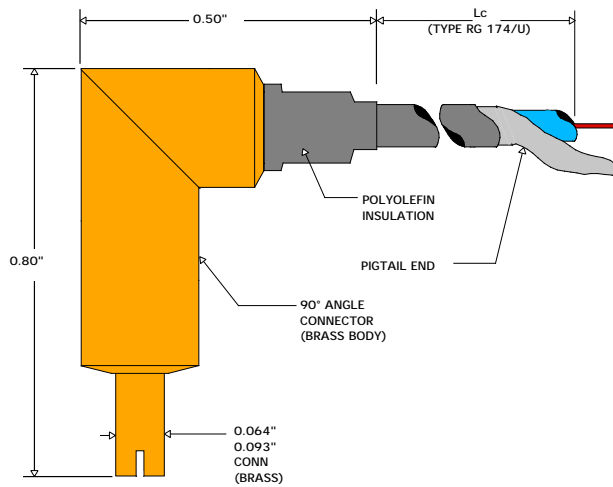
CA-1147-1, CA-1147-3, and CA-1147-6
 These cable assemblies comprise either 0.064in., 0.093in., or 0.125in. connectors respectively at one and a 0.125in. connector at the other end. Standard lengths are 1 to 6 foot. Other lengths are available at an additional cost.



**CA-1147-1, CA-1146-3 OR
 CA-1147-4**

HP @ 45 %

CA-1148-3 and CA-1146-4
 These cable assemblies are comprised of a 0.064inch or a 0.093inch, 90° connector respectively at one end and a pigtail at the other end. Standard lengths are 1 to 6 foot. Other lengths are available at an additional cost.



CA-1148-3 OR CA-1146-4