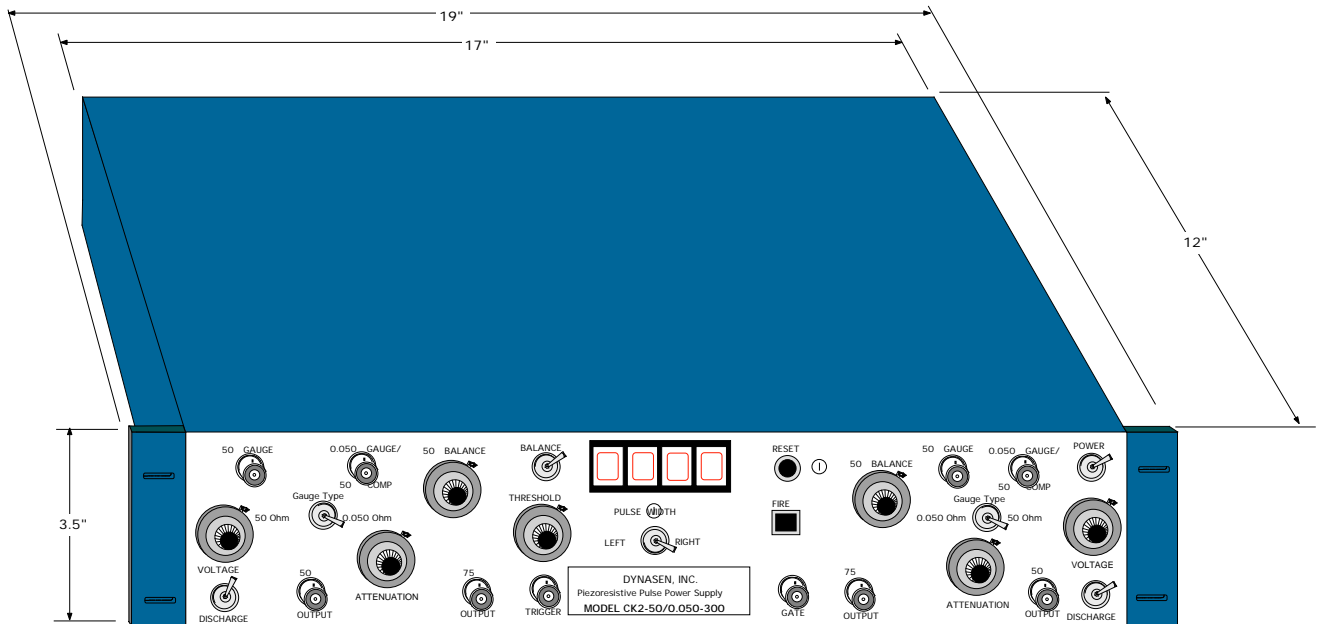


PIEZORESISTIVE PULSE POWER SUPPLY MODEL CK2-50/.050-300

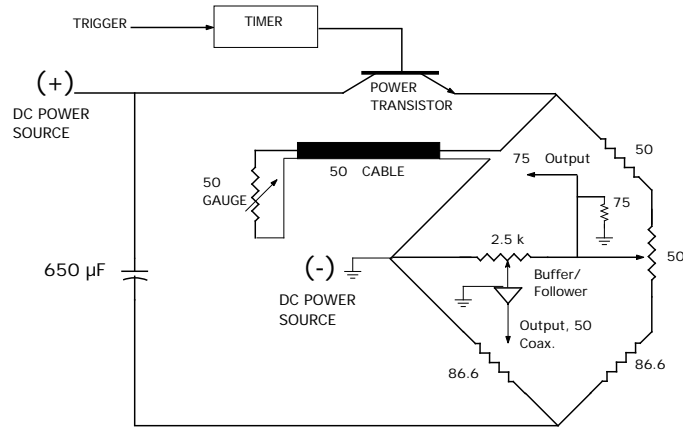


Dynasen's piezoresistive pulse power supply, Model CK2-50/.050-300, is a unique and most advanced pulse bridge arrangement of its kind that can be used for the excitation of 50Ω or .050Ω (low-impedance) shock pressure gauges. Its basic features are:

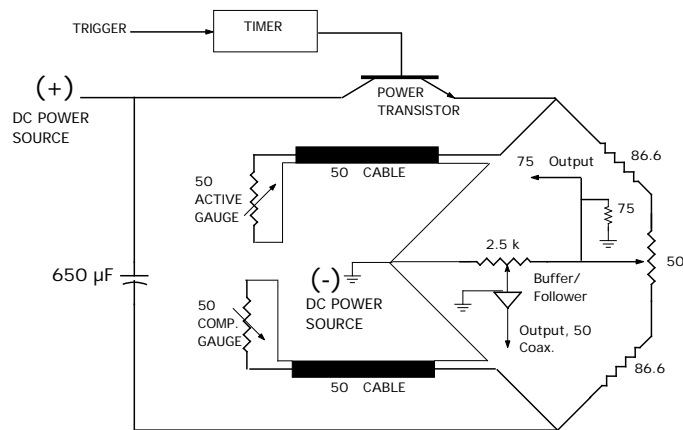
1. 115/230 AC power input. No batteries.
2. Dual-channel capabilities with either 50 or .050 gauge modes. One channel can be used with a 50 gauge while the other can be used with a .050 gauge or vice-versa.
3. Constant voltage full bridge arrangement for 50 gauges and constant current one-half bridge arrangement for .050 gauges. Each channel can be set in either 50 or .050 mode using a single front panel switch.
4. Differential gauge arrangement (50 gauges only) for compensating or canceling temperature, strain, or noise effects (see page 2 of data sheet for bridge arrangements #1, #2 and #3).
5. Continuously adjustable charge voltage for each channel from 30 to 300 volts.
6. Easy bridge balancing features (50 gauges only) with front panel digital display.
7. Unattenuated 75 bridge output and continuously adjustable 50 / line driver output for each channel.
8. Front panel pulse width adjustment (5 μsec to 500 μsec, nominally set at 100 μsec) with an equal duration gate output.
9. Single manual or electrical trigger capability with manual (or remote reset optional) capability.
10. Continuously adjustable trigger level from 4.0 to 50 volts.
11. All rotating knobs are self-locking verniers.
12. Aluminum chassis for rack mount or table use.

DYNASEN INC.
20 ARNOLD PLACE
GOLETA CA. 93117
Ph: (805) 964-4410
FAX: (805) 964 2824
On the web at: www.dynasen.com
email: dynasen@concentric.net

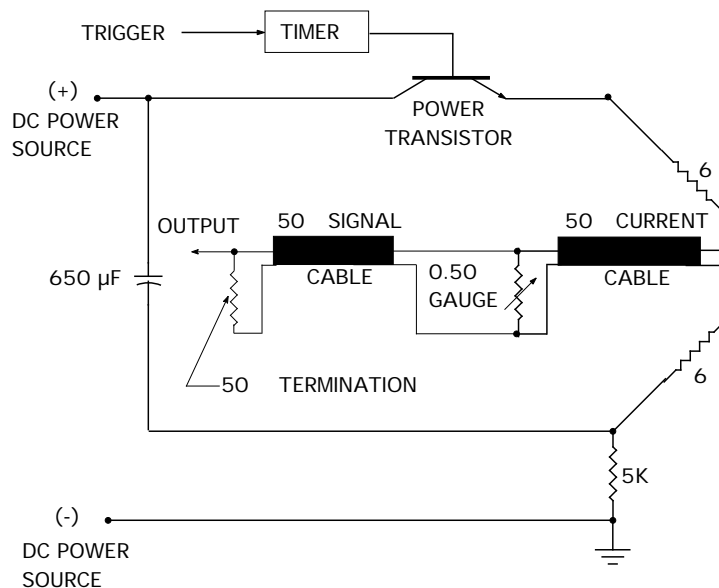
ELECTRICAL SCHEMATICS FOR THE THREE CONFIGURATIONS ON THE CK2-50/0.050-300 POWER SUPPLY



50Ω MODE - SINGLE GAUGE ARRANGEMENT (SANDIA BRIDGE)



50Ω MODE - COMPENSATING GAUGE ARRANGEMENT (DYNASEN BRIDGE)



0.050Ω MODE - LOW IMPEDANCE GAUGE ARRANGEMENT